



JOHNSON POWER LTD.

POWER THROUGH PERFORMANCE



U-JOINT KIT IDENTIFICATION



Johnson Power offers the most comprehensive line of universal joint cross & bearing kits in North America... including original or replacement units for...

- ◆ Dana Spicer
- ◆ Arvin Meritor Rockwell
- ◆ Borg Warner/Mechanics
- ◆ Parrish
- ◆ H.S. Watson
- ◆ GWB
- ◆ Bondioli Pavesi
- ◆ Weasler
- ◆ Neapco
- ◆ Voith
- ◆ Kempf
- ◆ Kopflex
- ◆ Uni-flex
- ◆ Maina
- ◆ Amerdrives/Zurn
- ◆ Blood Brothers
- ◆ Precision
- ◆ Chicago Rawhide
- ◆ Kussel
- ◆ Nakamura/Najico
- ◆ Italcardan
- ◆ Gewes
- ◆ Elbe
- ◆ *and others...*

If you have a manufacturer's part number, simply advise for an immediate quotation...or refer to the following catalog pages to determine requirements.

Call us at 708-345-4300 - Dial 0 and ask for selection assistance.

Fax us at 708-345-4315

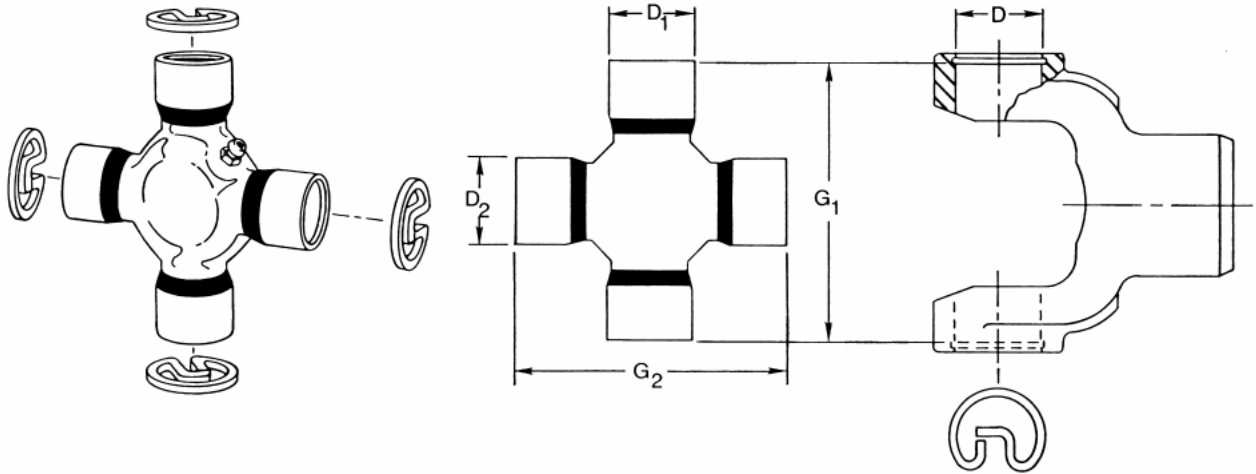
*E Mail us at...
info@johnsonpower.com*

We also offer all mating components..

- ◆ Flange Yokes/End Yokes
- ◆ Splined Male Stubs
- ◆ Splined Female Sleeves
- ◆ Weld Yokes
- ◆ Companion Flanges, etc.

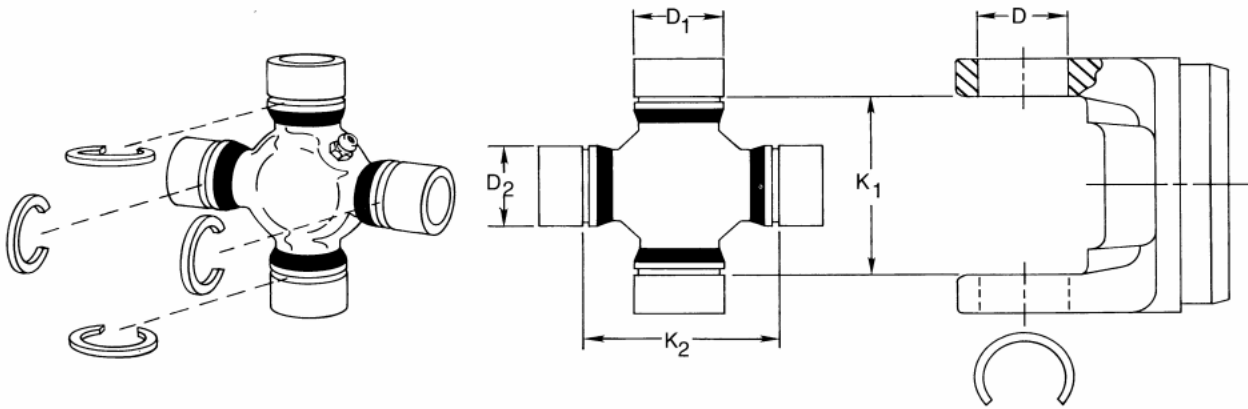
And, we repair all brands of universal joint drive shafts at a fraction of the cost of new.

Outside Snap Ring (OSR) Style



G1 Over Caps	D1 Bearing cap Diameter	G2 Over Caps	D2 Bearing cap Diameter	Johnson Power Part Number
2.409	0.938	2.409	0.938	5-102X
2.411	0.938	2.411	0.938	5-101X
2.411	0.938	2.411	0.938	5-111X
2.437	0.875	2.437	0.875	5-2008X
2.438	1.062	2.438	1.062	5-443X
2.500	0.984	2.500	0.984	5-1503X
2.679	1.125	2.679	1.125	5-129X
2.938	1.063	2.938	1.063	5-4X
3.062	1.125	3.062	1.125	5-1509X
3.207	1.250	3.207	1.250	5-243X
3.219	1.062	3.219	1.125	5-1201X
3.219	1.062	3.625	1.062	5-134X
3.219	1.062	3.219	1.062	5-153X
3.219	1.062	3.219	1.062	5-200X
3.219	1.062	3.625	1.188	5-460X
3.622	1.063	3.622	1.063	5-521X
3.625	1.062	3.625	1.062	5-1203X
3.625	1.062	3.625	1.125	5-1204X
3.625	1.188	3.625	1.188	5-178X
4.188	1.188	4.188	1.188	5-160X
4.188	1.375	4.188	1.375	5-188X
4.312	1.531	4.312	1.531	5-432X
4.964	1.375	4.964	1.375	5-155X
5.141	1.625	5.141	1.625	SPL90X
5.590	1.625	5.590	1.625	5-165X
10.042	3.063	10.042	3.063	5-339X

Inside Snap Ring (ISR) Style



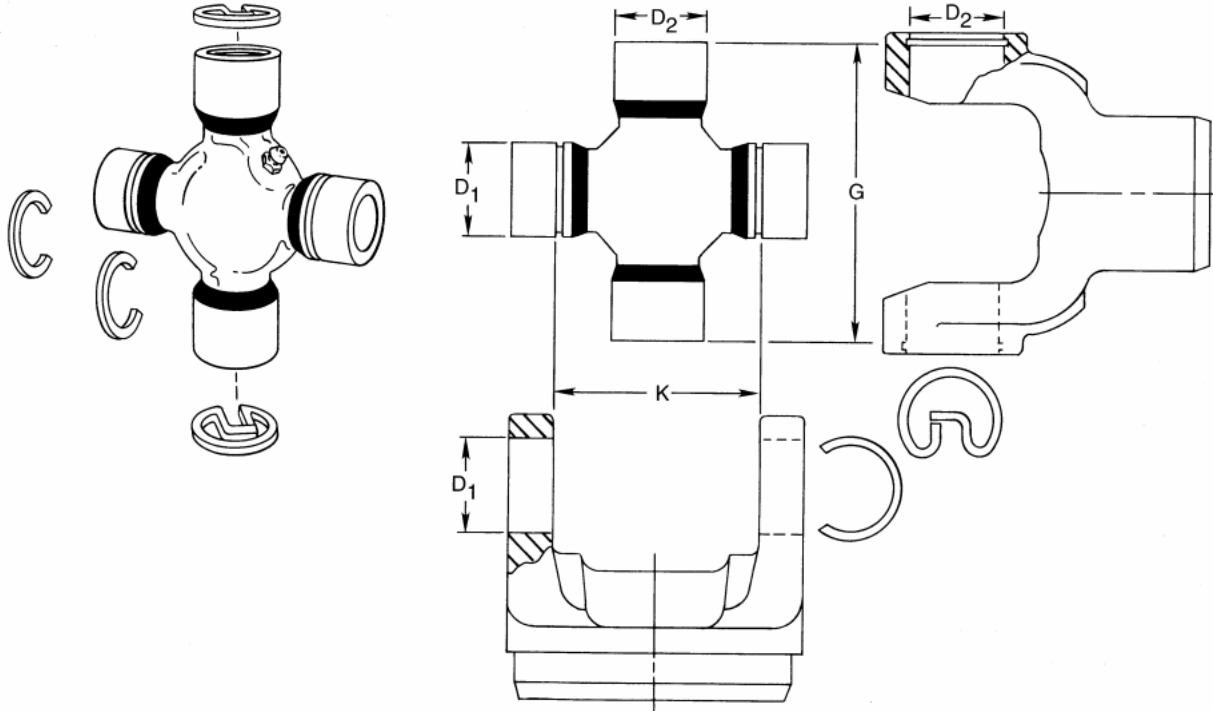
K1 Between Snap rings	D1 Bearing cap Diameter	K2 Between Snap rings	D2 Bearing cap Diameter	Johnson Power Part Number
1.482	0.886	1.482	0.886	5-1514X
1.493	0.971	1.493	0.971	5-92X
1.496	0.787	1.496	0.787	5-1500X
1.500	0.938	1.500	0.938	5-170X
1.640	1.062	1.640	1.062	5-456X
1.718	1.000	1.718	1.000	5-100X
1.718	1.000	1.718	1.000	5-105X
1.723	0.984	1.723	0.984	5-1504X
1.734	0.984	1.734	0.984	5-1501X
1.828	1.062	1.828	1.062	5-242X
1.848	1.025	1.848	1.025	5-1502X
1.986	1.044	1.986	1.044	5-1513X
2.000	1.231	2.000	1.231	5-1300X
2.047	1.142	2.047	1.142	5-1510X
2.080	1.142	2.080	1.142	5-1515X
2.121	1.078	2.121	1.078	5-1307X
2.125	1.078	2.125	1.078	5-1306X
2.125	1.078	2.125	1.078	5-1306-1X
2.188	1.062	2.188	1.062	5-260X
2.188	1.188	2.188	1.188	5-297X
2.200	1.025	2.200	1.025	5-1508X
2.208	1.102	2.208	1.102	5-1505X
2.321	1.102	2.321	1.102	5-1507X
2.343	1.062	2.343	1.062	5-350X
2.344	1.000	2.344	1.000	5-2011X
2.375	1.062	2.375	1.062	5-1200X
2.453	1.497	2.456	1.497	5-1506X
2.520	1.260	2.520	1.260	5-1511X
2.547	1.125	2.547	1.125	5-3011X

Inside Snap Ring (ISR) Style

K1 Between Snap rings	D1 Bearing cap Diameter	K2 Between Snap rings	D2 Bearing cap Diameter	Johnson Power Part Number
2.555	1.125	2.362	1.063	5-3022X
2.562	1.125	2.562	1.250	5-3147X
2.563	1.188	2.563	1.188	5-1205X
2.625	1.125	2.625	1.125	5-1309X
3.000	1.231	3.000	1.231	5-1301X
3.000	1.375	3.000	1.375	5-88X
3.125	1.188	3.125	1.188	5-1206X
3.250	1.125	3.250	1.125	5-4015X

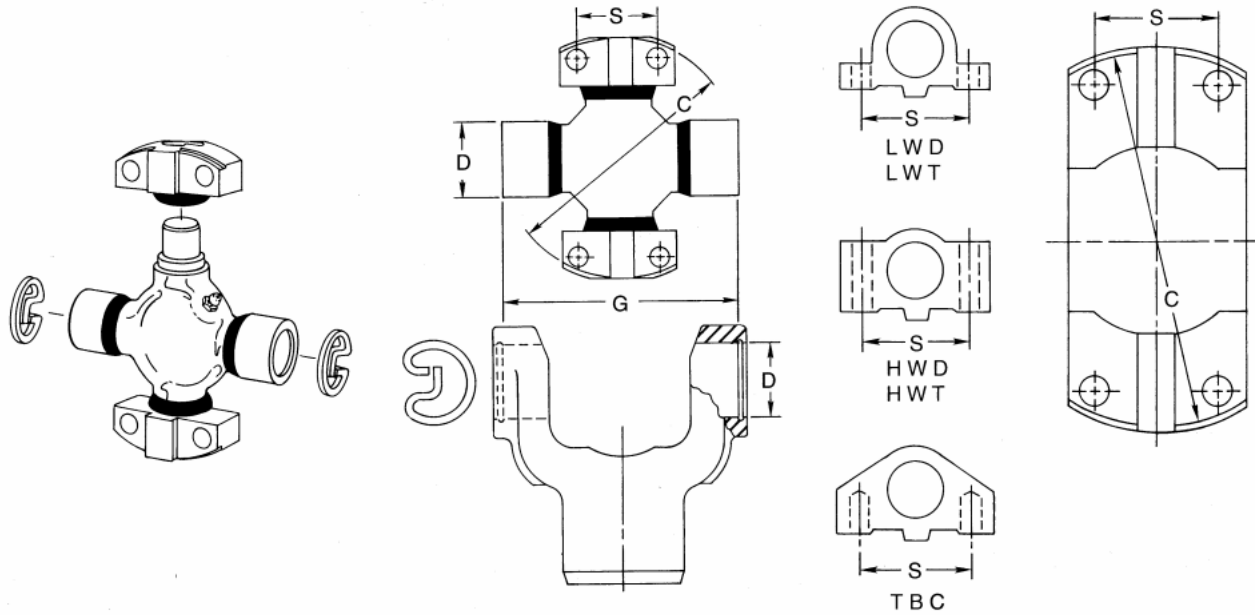


Outside Snap Ring/ Inside Snap Ring (OSR/ISR) Style



G Over Caps	D1 Bearing cap Diameter	K Between Snap rings	D2 Bearing cap Diameter	Johnson Power Part Number
2.438	1.062	1.719	1.000	5-248X
3.219	1.063	2.556	1.125	5-3022X
3.219	1.062	2.344	1.000	5-2140X
3.219	1.062	2.125	1.078	5-353X
3.622	1.188	2.556	1.125	5-1353R
3.625	1.062	2.428	1.125	5-212X

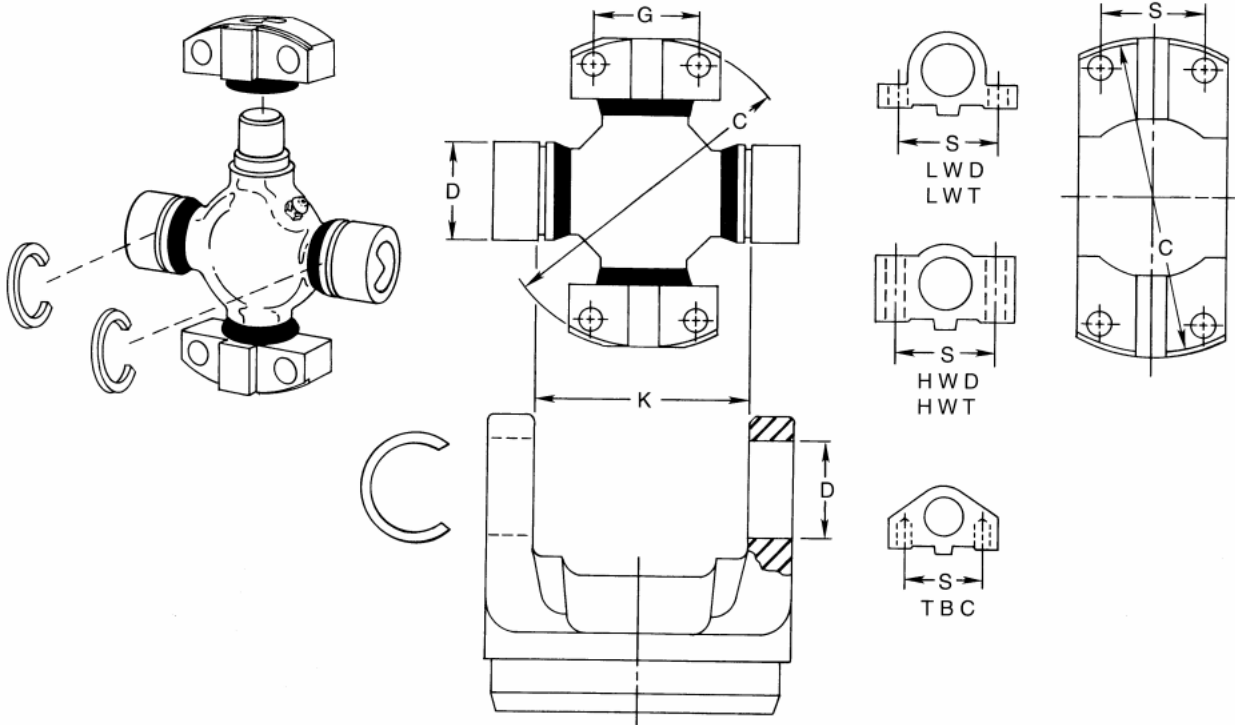
**Outside Snap Ring/ Wing Bearing
(OSR/WB) Style**



G Over Caps	D Bearing cap Diameter	C Pilot Diameter	S Between Bolt holes	WB Cap Type	Johnson Power Part Number
4.188	1.188	4.250	1.438	HWD	5-345X
4.188	1.375	4.531	1.688	HWD	5-347X
4.969	1.375	5.531	1.688	HWD	5-221X
5.594	1.625	5.844	1.938	HWD	5-330X

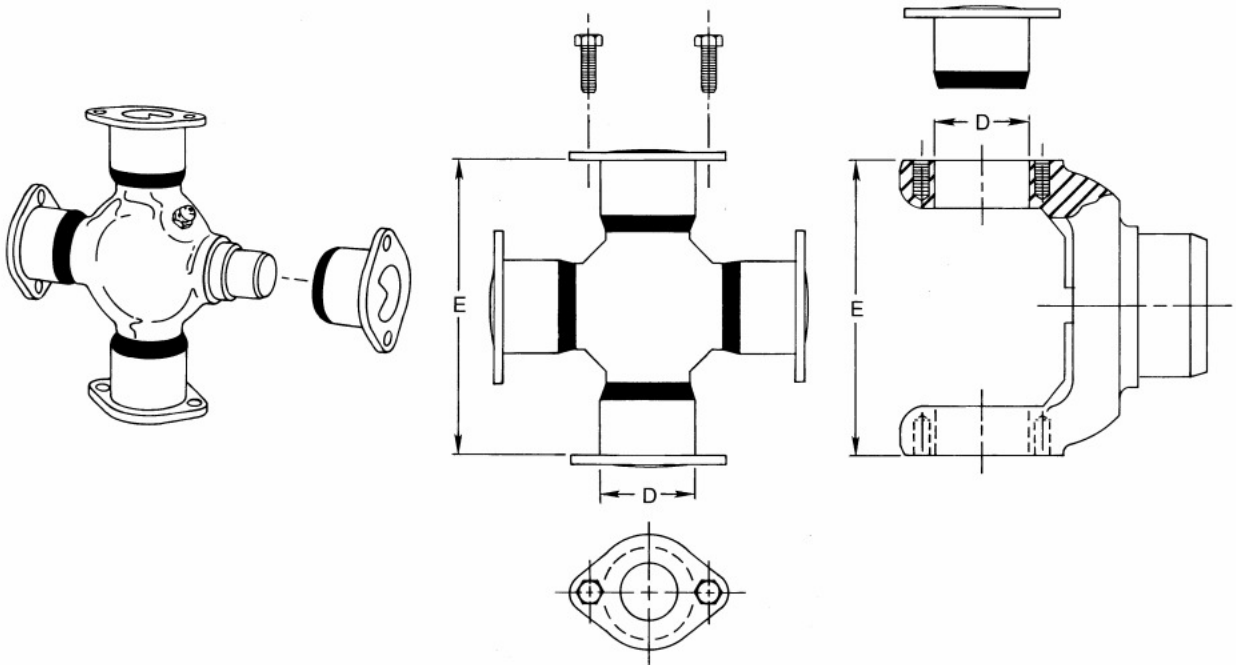


Inside Snap Ring/ Wing Bearing (ISR/WB) Style



K Between Snap rings	D Bearing cap Diameter	C Pilot Diameter	S Between Bolt holes	WB Cap Type	Johnson Power Part Number
2.344	1.000	3.125	1.312	TBC	5-2031X
2.344	1.000	3.125	1.312	LWD	5-2033X
2.562	1.125	3.562	1.438	TBC	5-3012X
3.250	1.125	4.250	1.438	LWT	5-4152X
3.312	1.312	4.531	1.688	LWD	5-5110X
3.312	1.312	4.531	1.688	LWT	5-5132X

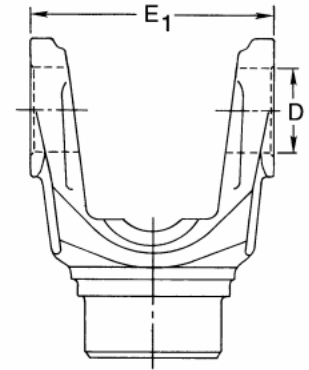
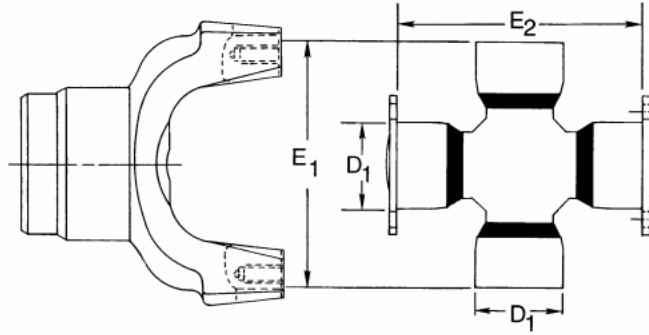
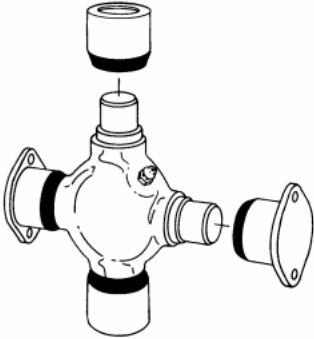
Bearing Plate (BP) Style



E Between Caps	D Bearing cap Diameter	Johnson Power Part Number
4.562	1.562	5-115X
5.312	1.875	5-279X
6.094	1.938	5-280X
6.594	2.312	5-124X
7.000	1.938	5-407X
7.547	1.938	5-281X
8.094	2.188	5-308X
8.781	2.812	5-54X

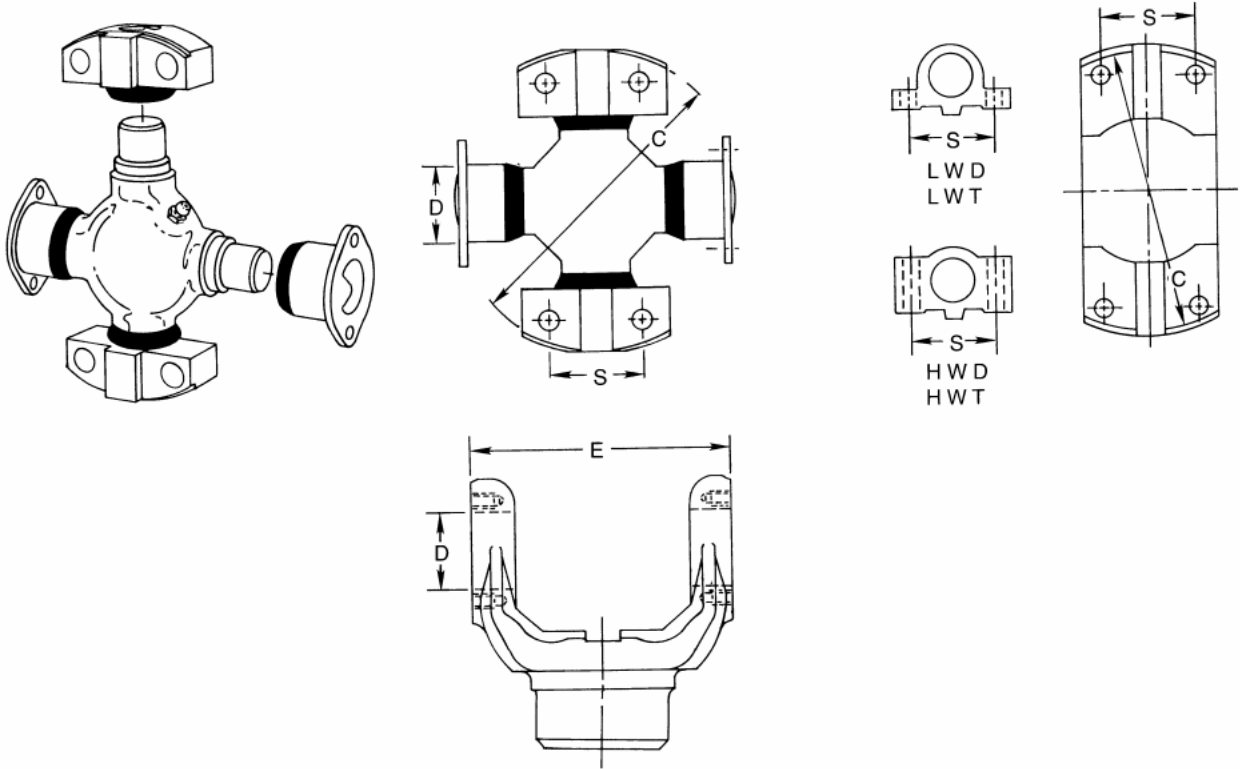


Half Round (HR) Style



E1 Between Caps	D1 Bearing cap Diameter	E2 Over Bearing Caps	D2 Bearing cap Diameter	Johnson Power Part Number
5.312	1.875	5.312	1.875	5-674X
6.094	1.938	6.094	1.938	5-675X
6.187	1.937	6.094	1.937	5-515X
7.000	1.938	7.000	1.938	5-677X
7.547	1.938	7.547	1.938	5-676X
7.093	1.937	7.000	1.937	5-469X
7.640	1.937	7.547	1.937	5-510X

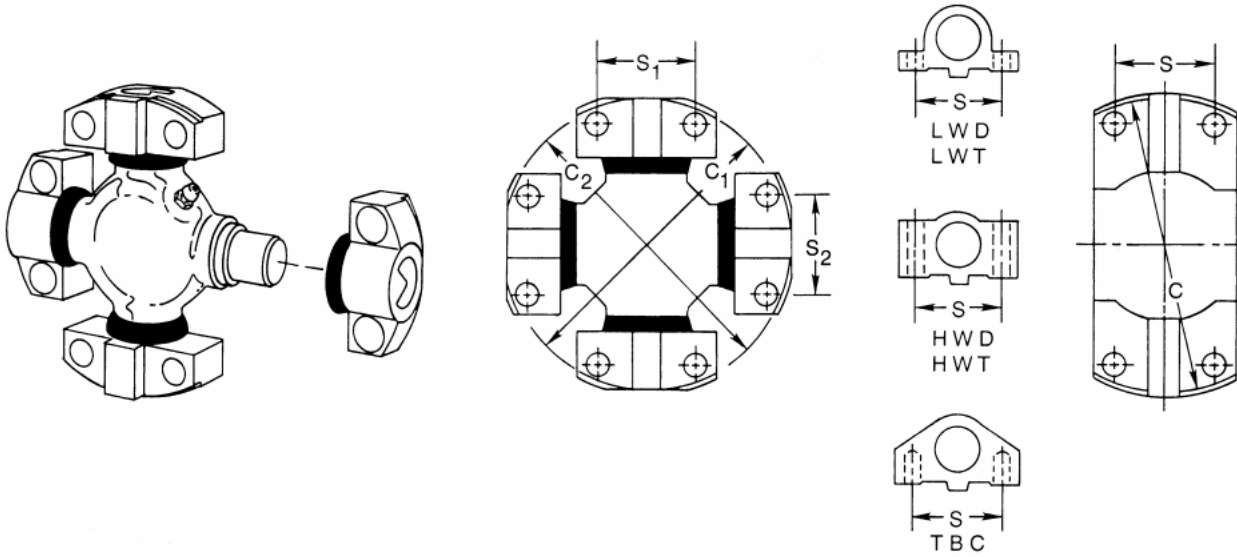
Bearing Plate / Wing Bearing (BP/WB) Style



E Between Caps	D Bearing cap Diameter	C Pilot Diameter	S Between Bolt holes	Johnson Power Part Number
7.547	1.938	8.250	2.812	5-324X
8.094	2.188	8.250	2.812	5-326X

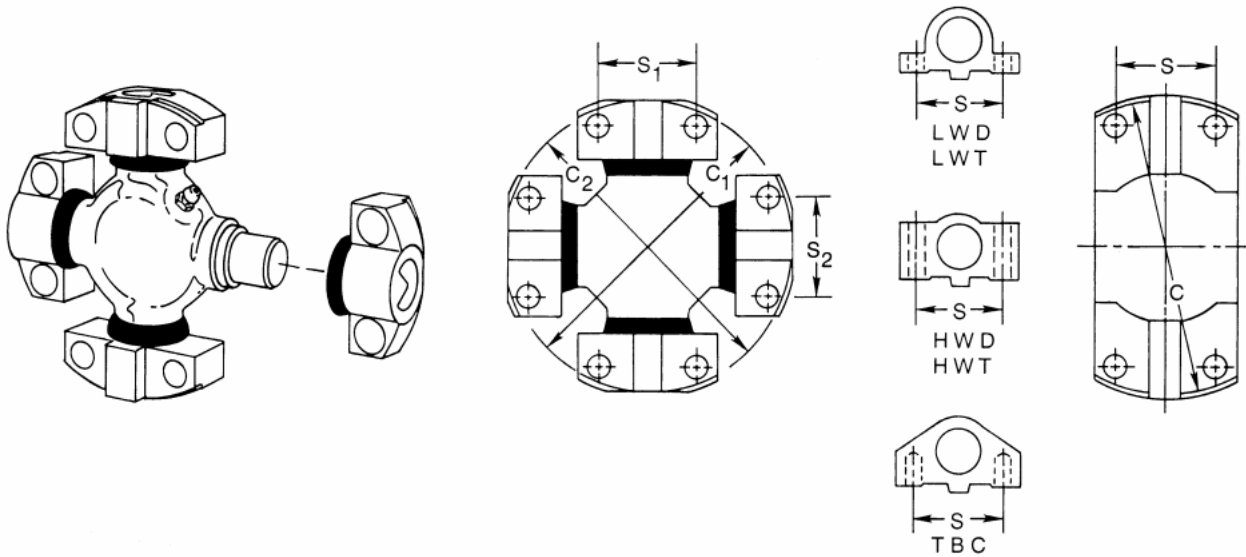


Wing Bearing (WB) Style



C1 Pilot Diameter	S1 Between Bolt holes	WB Cap Types	C2 Pilot Diameter	S2 Between Bolt holes	WB Cap Types	Johnson Power Part Number
3.125	1.312	LWD	3.125	1.312	LWD	5-2117X
3.125	1.312	LWT	3.125	1.312	LWT	5-2110X
3.125	1.312	LWD	3.125	1.312	LWT	5-2172X
3.560	1.437	LWD	3.560	1.437	LWT	5-3150X
3.560	1.437	LWT	3.560	1.437	HWD	5-3158X
3.560	1.437	LWT	3.560	1.437	LWT	5-3152X
4.234	1.438	LWT	4.234	1.438	LWD	5-4123X
4.250	1.438	TBC	4.250	1.438	TBC	5-4138X
4.250	1.438	HWD	4.250	1.438	TBC	5-4140X
4.250	1.438	HWD	4.250	1.438	HWD	5-4143X
4.531	1.688	TBC	4.531	1.688	TBC	5-5122X
4.531	1.688	LWD	4.531	1.688	LWT	5-5127X
4.531	1.688	LWT	4.531	1.688	HWD	5-5173X
4.531	1.688	HWD	4.531	1.688	HWD	5-5177X
5.312	1.938	HWD	5.312	1.938	HWD	5-5800X
5.312	1.938	LWT	5.312	1.938	LWT	5-5801X
5.312	1.938	LWT	5.312	1.938	HWD	5-5802X
5.531	1.688	TBC	5.531	1.938	TBC	5-6000X
5.531	1.688	LWT	5.531	1.688	HWD	5-6102X
5.531	1.688	HWD	5.531	1.688	HWD	5-6106X
5.531	1.688	LWD	5.531	1.688	LWT	5-6152X
5.531	1.688	TBC	5.844	1.938	TBC	5-6162X
5.531	1.688	TBC	5.844	1.938	HWD	5-6163X
5.844	1.938	LWT	5.844	1.938	LWT	5-7000X
5.844	1.938	HWD	5.844	1.938	HWD	5-7105X
5.844	1.938	TBC	5.844	1.938	HWD	5-7202X

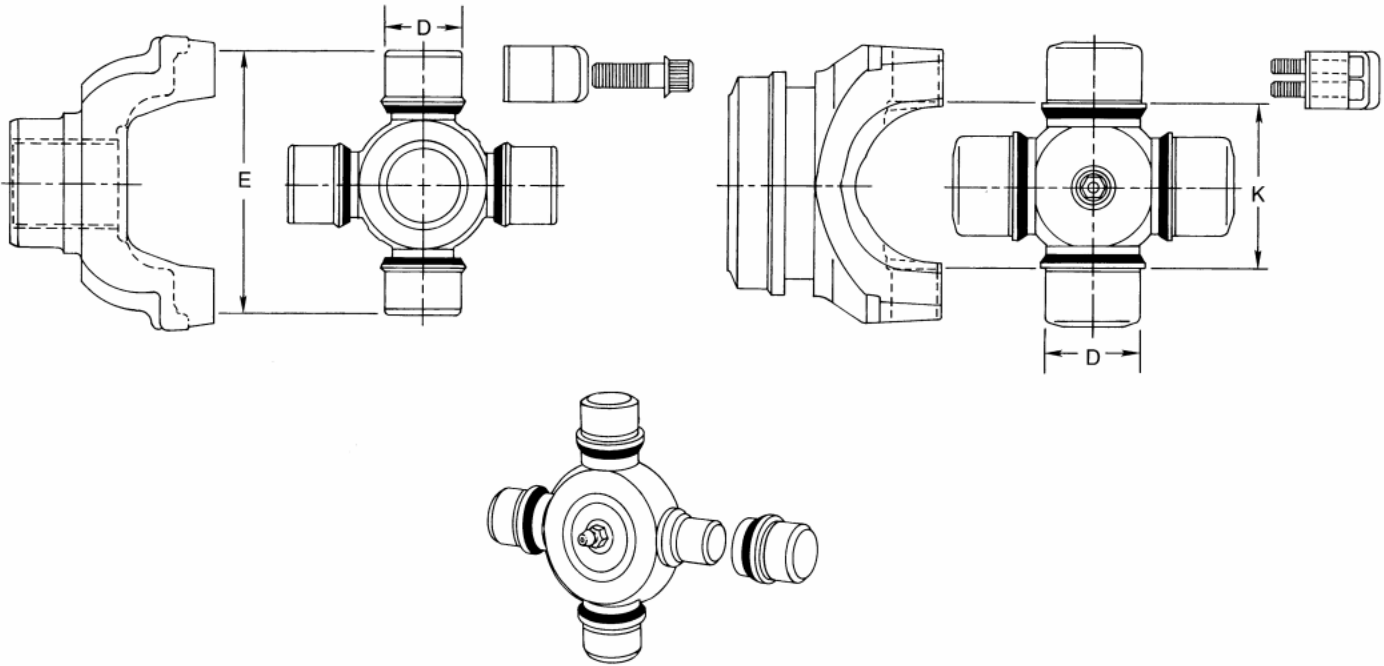
Wing Bearing (WB) Style



C1 Pilot Diameter	S1 Between Bolt holes	WB Cap Types	C2 Pilot Diameter	S2 Between Bolt holes	WB Cap Types	Johnson Power Part Number
6.375	2.440	HWD	6.375	2.440	HWD	170W CB
6.500	2.812	LWT	6.500	2.812	LWT	5-8500X
6.500	2.812	LWT	6.500	2.812	HWD	5-8515X
6.500	2.812	HWD	6.500	2.812	HWD	5-8516X
6.500	2.812	HWD	6.500	2.812	HWD	230W CB
8.125	1.938	HWD	8.125	1.938	HWD	5-8105X
8.125	1.938	TBC	8.125	1.938	LWT	5-8205X
8.125	1.938	TBC	8.125	1.938	HWD	5-8207X
8.250	2.812	HWD	8.250	2.812	HWD	310W CB
8.250	2.812	HWD	8.250	2.812	HWD	5-9001X
8.250	2.812	TBC	8.250	2.812	TBC	5-9014X
8.250	2.812	LWT	8.250	2.812	HWD	5-9017X
8.750	3.500	HWD	8.750	3.500	HWD	490W CB
8.750	3.500	HWD	8.750	3.500	HWD	600W CB
10.236	3.936	HWD	10.236	3.936	HWD	800W CB
11.500	4.640	HWD	11.500	4.640	HWD	1200W CB



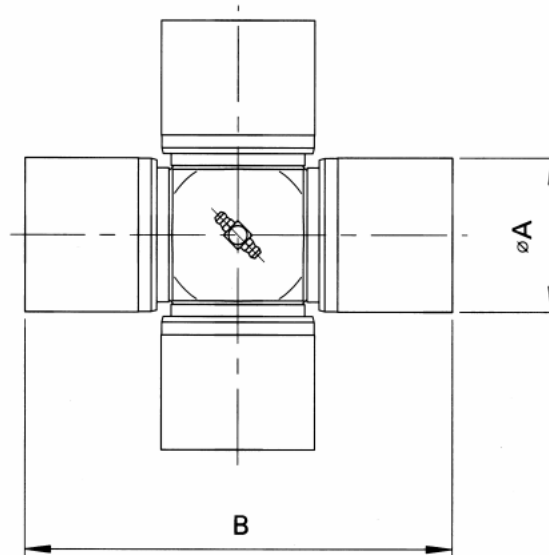
Cap & Bolt Style



E Over Caps	D Bearing cap Diameter	K Between Snap rings	Johnson Power Part Number
-	2.560	5.630	5-316X
10.046	3.062	-	5-339X
12.097	3.812	-	5-340X
15.375	4.750	-	5-298X

METRIC

Outside Snap Ring (OSR) Style



B Over Caps [mm]	A Bearing cap Diameter	Johnson Power Part Number
1.614 [41]	0.591 [15]	1200CB
1.937 [49.2]	0.748 [19]	1210CB
2.323 [59]	0.866 [22]	1220CB
2.748 [69.8]	1.024 [26]	1230CB
3.220 [81.8]	1.181 [30]	1240CB
3.811 [96.8]	1.378 [35]	1250CB
3.811 [96.8]	1.378 [35]	2200/2205CB
4.114 [104.5]	1.654 [42]	2210/2215CB
4.587 [116.5]	1.890 [48]	2220/2225CB
5.236 [133]	2.047 [52]	2230/2235CB
5.669 [144]	2.244 [57]	2240/2245CB
5.987 [152.06]	2.244 [57]	2250/2255CB
6.772 [172]	2.559 [65]	2260/2265CB
7.283 [185]	2.835 [72]	2270/2275CB
8.543 [217]	2.913 [74]	2290/2295CB
9.110 [231.4]	3.268 [83]	2296CB
2.409 [61.2]	0.937 [23.8]	2300CB
2.933 [74.5]	1.063 [27]	2305CB
3.220 [81.8]	1.189 [30.2]	2310CB
3.622 [92]	1.374 [34.9]	2314/2315CB
4.189 [106.4]	1.374 [34.9]	2319/2320CB

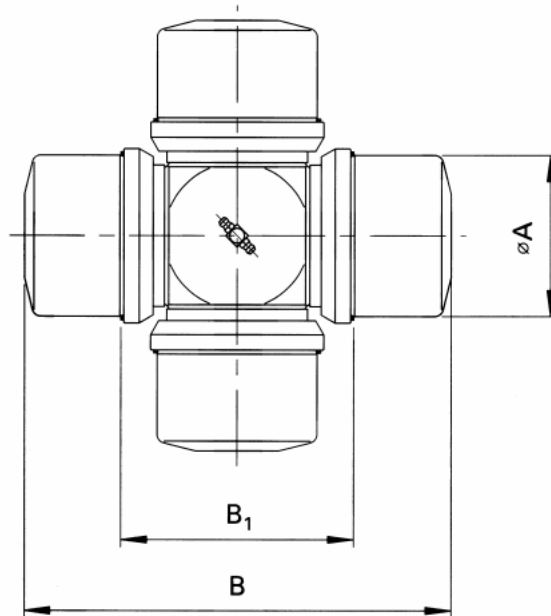
B Over Caps [mm]	A Bearing cap Diameter	Johnson Power Part Number
4.701 [119.4]	1.654 [42]	2325CB
5.322 [135.17]	1.874 [47.6]	2330/2340CB
5.795 [147.2]	2.047 [52]	2350/2360CB
5.984 [152]	2.244 [57]	2365/2375CB
6.602 [167.69]	2.323 [59]	2380/2385CB
6.772 [172]	2.559 [65]	2390/2395CB
1.614 [41]	0.669 [17]	1100/1105CB
1.890 [48]	0.748 [19]	1110/1115CB
2.283 [58]	0.866 [22]	1120/1125CB
2.791 [70.9]	1.122 [28.5]	1130/1135CB
3.268 [83]	1.181 [30]	1140/1145CB
3.819 [97]	1.339 [34]	2100/2105CB
3.819 [97]	1.378 [35]	2100/2105CB*
4.173 [106]	1.496 [38]	2110/2115CB
4.843 [123]	1.654 [42]	2120/2125CB
4.626 [117.5]	1.654 [42]	2130/2135CB
4.961 [126]	1.890 [48]	2140/2145CB
5.315 [135]	2.087 [53]	2150/2155CB
5.984 [152]	2.244 [57]	2160/2165CB
6.772 [172]	2.559 [65]	2170/2175/2180CB

* - 35mm Design



METRIC

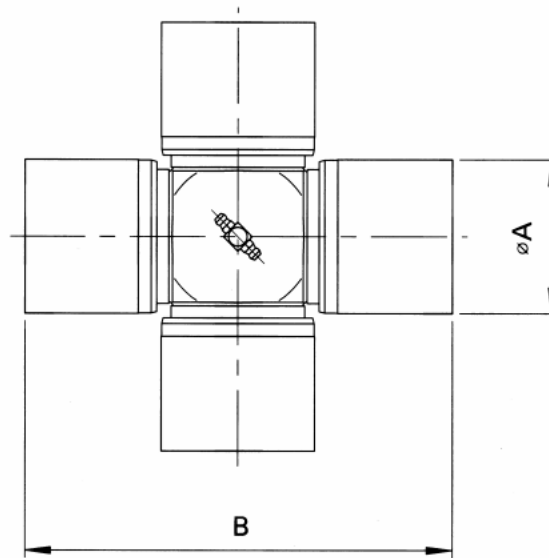
Split Bearing Cap Style



B Over Caps [mm]	B ₁ Between Caps [mm]	A Bearing cap Diameter	Johnson Power Part Number
8.661 [220]	5.630 [143]	2.559 [65]	3100CB
9.606 [244]	6.063 [154]	2.913 [74]	3110CB
11.024 [280]	6.890 [175]	3.268 [83]	3120CB
12.126 [308]	7.480 [190]	3.740 [95]	3130CB
13.386 [340]	8.268 [210]	4.331 [110]	3140CB
14.921 [379]	9.252 [235]	4.724 [120]	3150CB
16.732 [425]	10.315 [262]	5.118 [130]	3160CB
9.283 [235.8]	5.079 [129]	3.268 [83]	3220CB
10.189 [258.8]	5.472 [139]	3.740 [95]	3230CB
11.551 [293.4]	6.299 [160]	4.331 [110]	3240CB
12.803 [325.2]	6.929 [176]	4.724 [120]	3250CB
14.299 [363.2]	7.717 [196]	5.118 [130]	3260CB
8.740 [222]	5.079 [129]	2.913 [74]	4100/4200CB
9.685 [246]	5.472 [139]	3.268 [83]	4110/4210CB
11.008 [279.6]	6.299 [160]	3.740 [95]	4120/4220CB
12.189 [309.6]	6.929 [176]	4.331 [110]	4130/4230CB
13.520 [343.4]	7.717 [196]	4.724 [120]	4140/4240CB
15.094 [383.4]	8.504 [216]	5.118 [130]	4150/4250CB
16.929 [430]	9.843 [250]	6.063 [154]	4160/4260CB
18.346 [466]	10.866 [276]	6.693 [170]	4170/4270CB
20.866 [530]	12.402 [315]	7.677 [195]	4180/4280CB

METRIC

Heavy Duty Outside Snap Ring (OSR) Style



B Over Caps [mm]	A Bearing cap Diameter	Johnson Power Part Number
6.772 [172]	2.559 [65]	3300CB
7.087 [180]	2.913 [74]	3310/4300CB
8.661 [220]	3.268 [83]	3320/4310CB
9.831 [249.7]	3.740 [95]	3330/4320CB
10.811 [274.6]	4.331 [110]	3340/4330CB
11.874 [301.6]	5.118 [130]	3350/4340CB
13.287 [337.5]	5.709 [145]	3360/4350CB
15.315 [389]	6.890 [175]	4360CB
17.087 [434]	7.402 [188]	4370CB
18.858 [479]	8.465 [215]	4380CB



Universal Joint Maintenance

Lubrication

Inadequate lubrication is the most prevalent cause of premature universal joint failure.

It is essential that all four bearings on the universal joint cross be properly lubricated.

Purge all 4 bearing seals

Add grease until lubricant is purged at all 4 bearing seals. (See Fig. 1.)

This procedure will also flush out contaminants, dirt and dust.

Standard lube fitting

A standard lubrication fitting will be found on the body of the cross. It will be located either on the shoulder of the cross between the bearings or in the center of the cross body.

In some cases, all four seals will not purge grease. If possible, exercise the flange yoke in all directions, or tap on the yoke ears with a soft faced hammer while applying grease pressure. If any seal still does not purge, **remove the shaft from service** and correct the problem.

4 pt. Lube Fittings

A grease fitting on each bearing cap is an optional design feature to assist in proper lubrication.

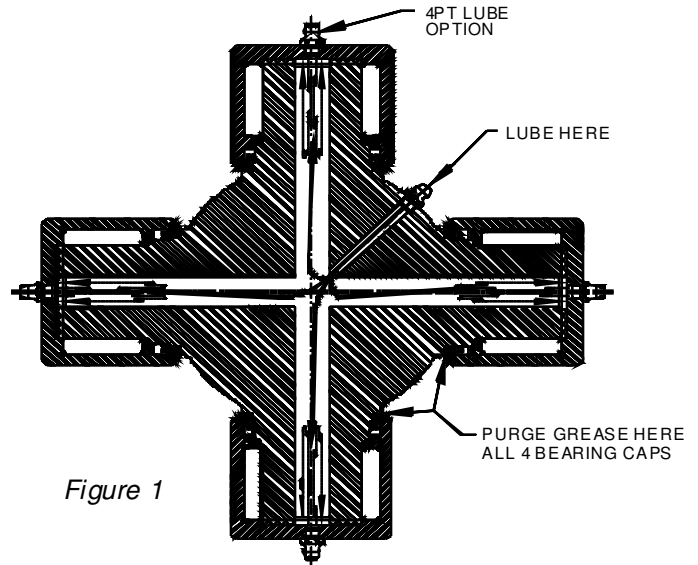


Figure 1

Lube Specifications

Use a good quality lithium base E.P. grease meeting N.L.G. I. Grades 1 or 2. (Texaco Multifak EP2, Mobil Mobilus EP2 etc.). For extended lubrication intervals use a moly grease such as Mobil Mobilux EP 111.

Lubrication Intervals

Standard lubrication intervals should be every 500 hours of normal service or every 200 hours of continuous duty service. Adverse conditions such as extreme temperatures or a corrosive environment may require special greases and lubrication schedules.

Universal Joint Drive Shaft Repair

Assembly repair should only be done by those with experience in applying, installing, servicing and rebuilding universal joint type drive shafts.

Approaching our 70th year in business, Johnson Power Ltd. offers extensive experience in drive shaft design and repair.

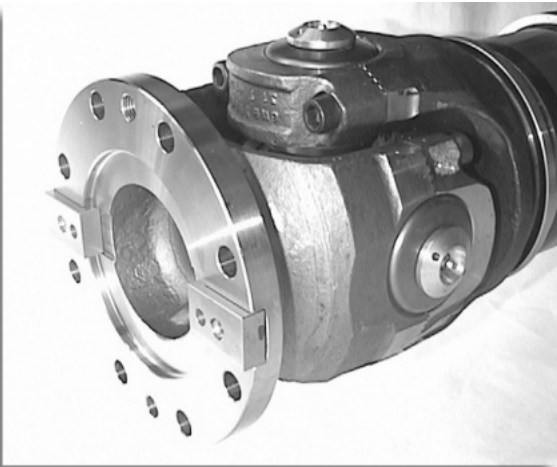
Johnson will insure that the shaft is brought to like new condition with proper phasing, dynamic balancing, etc.

◆ Quick ◆ Competitively Priced ◆ With a Warranty ◆

Four point lubrication system featuring the
Johnson Power Protection Ring.
A small innovation with major returns...



Bearing cap lubrication fittings provide maximum ease of greasing the universal joint ensuring positive lubrication in minimal time.



The Johnson Power protector ring system features a brass dome that totally surrounds the grease fitting, protecting it from any blows that would otherwise damage it.



This small innovation has proven to provide significant *time and money savings!*



JOHNSON POWER LTD.

POWER THROUGH PERFORMANCE

2530 BRAGA DRIVE, BROADVIEW, ILLINOIS 60155
WEB: WWW.JOHNSONPOWER.COM

PHONE: 708/345-4300 FAX: 708/345-4315
E-MAIL: INFO@JOHNSONPOWER.COM